

AyrKing Corporation

Breader/Blender/Sifter



AyrKing offers a manual breadmaking workstation with integrated automatic Blender/Sifter machine. Rotary brush sifter operates without detrimental vibration or agitation. Spirally configured nylon bristles form an auger to eject unwanted dough balls to a waste container. Ingredients are fully blended as brush tumbles breadmaking media before it exits through sifter screen. Unique process prevents dough ball grinding, eliminates usual sifting noise, & blends ingredients as it ejects waste.

Photo of BBSU3615-3814



INCLUDED ACCESSORIES

- B101 Red plastic lug plug
- B105 S/S 8" deep breading lug w/ hole
- B106 S/S 8" deep breading lug w/o hole
- B107 Stainless steel lug cover
- B304 White plastic dough ball pan
- B122 Round dip basket, stainless steel wire
- B123 Round dip pot, stainless steel
- 3600071 3.5" Locking casters
- B522 Dip pot opening plate

OPTIONAL ACCESSORIES

- B126 Feathering basket, stainless steel wire
- B124 Round dip pot lid, stainless steel
- B523 S/S flat adapter plate without hole
- B128 Stainless steel 2/3 size pan
- B129 Stainless steel 2/3 size wire basket
- B104 Stainless steel 1/3 size pan
- B411 S/S C-shaped clip to hold bun pan

ADVANTAGES

Sift and blend 25 lbs (11 kg) of breadmaking in 60 seconds!

Rotary auger brush blends, sifts, and ejects dough balls simultaneously

Blending brush action prevents ingredient segregation, unlike vibrating or agitating systems

Quiet, vibration-free operation creates results, not disturbances

Sixty second timed cycle frees labor and saves energy

Only three internal parts allows quick and easy cleaning

Direct drive, steel geared motor & solid stainless steel fabrication provide lasting performance

MODEL

BBS-U- 3615-3814

36"Lx15"Wx36"H table on casters

AyrKing Corporation
2013 Cobalt Drive
Louisville, KY 40299-2417

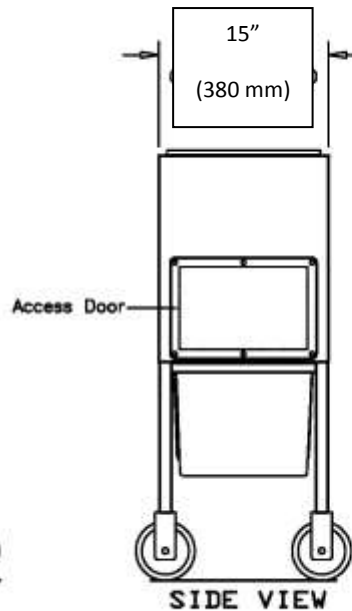
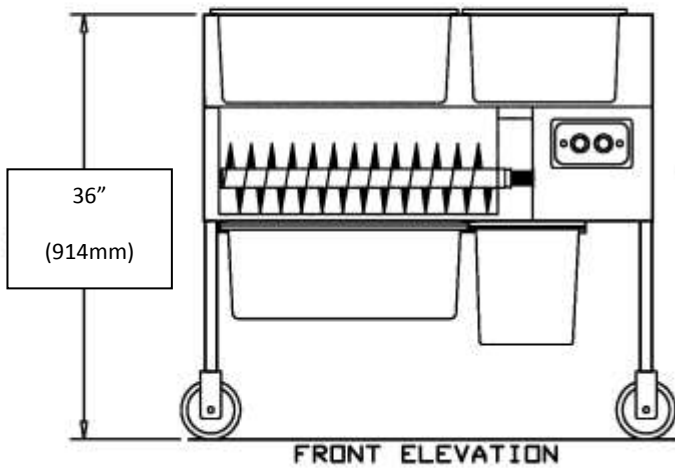
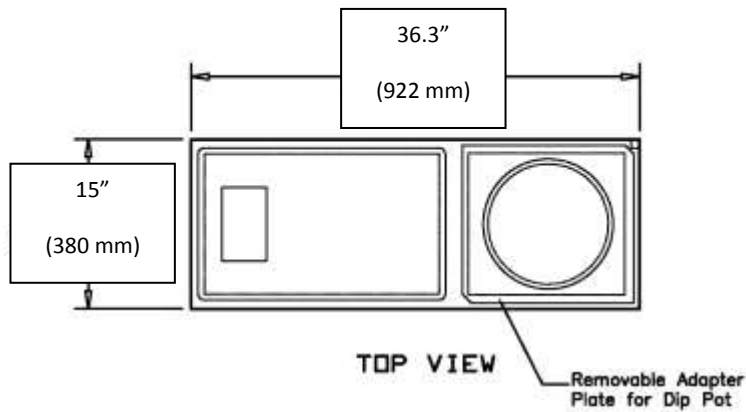
Telephone 502-266-6270

Facsimile 502-266-6274

www.ayrking.com

AyrKing Corporation

Breader/Blender/Sifter



CRATED MEASUREMENTS

<u>MODEL</u>	<u>LENGTH</u>	<u>WIDTH</u>	<u>HEIGHT</u>	<u>WEIGHT</u>	<u>UNCRATED</u>
BBSU3615-3814	39" (991mm)	17" (432mm)	45" (1143mm)	170 lb (77kg)	135lb(61kg)

ELECTRICAL

Timed control board automatically senses voltage & operates at either:

115V, 50/60Hz, 1 phase, 1.6 AMP, 184W

230V, 50/60Hz, 1 phase, 0.9 AMP, 207W

Includes universal male three prong, recessed

AC receptacle (IEC 320 C13) mating to an 8 foot

(2438mm) cord with NEMA 5-15P male three prong plug

WARRANTY

One Year Parts

Ninety Days Labor

No Travel Time

Specifications subject to change without notice. Version 08/17

AyrKing Corporation
2013 Cobalt Drive
Louisville, KY 40299-2417

Telephone 502-266-6270
Facsimile 502-266-6274
www.ayrking.com