

Seal with tape. Do not staple.

Thank you for your business!

**Please return this completed page.
The owner is required to return this product
registration information immediately.**

The model and serial numbers are stamped on the nameplate.
Please print clearly.

-----Second Fold Line-----

Place
stamp
here

AyrKing Corporation
2013 Cobalt Drive
Louisville, KY 40299-2417
USA

-----First Fold Line-----Seal with tape-----Do not staple-----

Store Name: _____ Store I.D.#: _____

Address: _____

City: _____ State/Province/Region: _____

Country: _____ Postal Code: _____

Telephone: _____ Fax: _____

Store Owner: _____

Model: _____ Serial Number(s): _____

This page intentionally left blank.

**Note: All procedures listed on these pages are general use guidelines.
Please refer to your company procedures for exact instructions.**

IMPORTANT SAFETY INSTRUCTIONS

Read all instructions before operating. When using electrical appliances, basic safety precautions must be followed. Use this appliance only for its intended use as described in this manual. Verify that appliance is properly installed and electrically grounded by a qualified technician in accordance with local electrical codes. Do not attempt to repair or replace electrical components. A qualified technician should complete all servicing to these components. Before performing any service, disconnect the machine's power supply. Never wear loose-fitting or hanging garments while using any appliance. Ties, necklaces, etc. may catch on moving parts...possibly causing injury.

CAUTION - Risk of fire and/or electrical shock. Replace only with manufacturer's cord set.

DO NOT SPRAY MACHINE WITH WATER
The MOTOR COMPARTMENT IS NOT WATER PROOF.

OPERATION

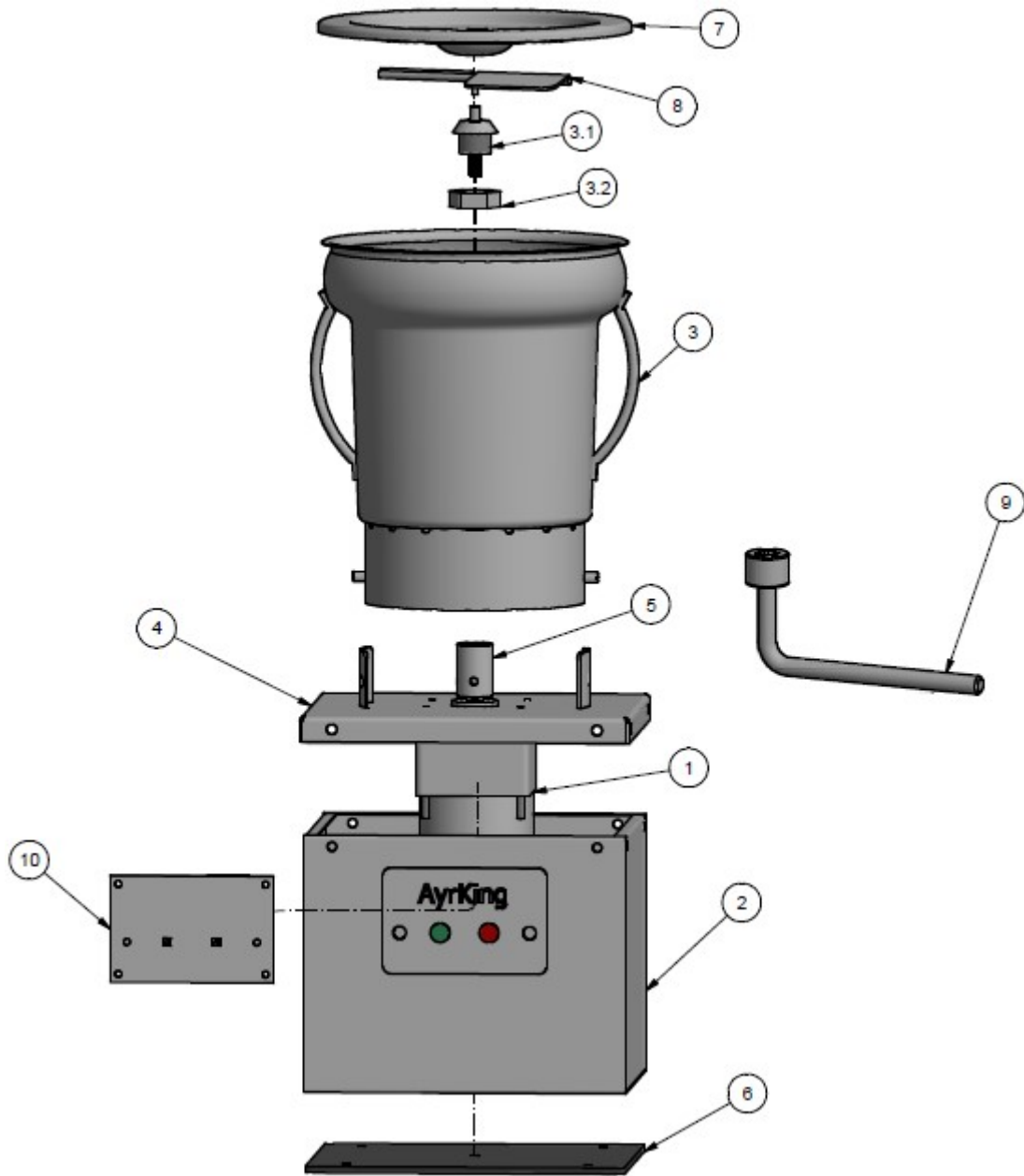
(Numbers in parenthesis refer to parts view drawings)

- Place vessel (3) on motor base (2), lining drive shaft (3.1) from vessel up with the motor drive coupling (5). Pins on the side of the vessel should line up and lock into position on indexing mounts.
- Attach mixing blade (8) to vessel drive shaft (3.1), spinning on in a clockwise rotation.
- Attach power cord to power supply
- Add liquid to vessel.
- Add dry ingredients to vessel
- Press green start button on timer (10) to begin operation
- Timer can be set to users needs to complete the operation
- Once ingredients are mixed, the volume per vessel should be filled no more than half of each vessel with the volume of mixed liquid. (The viscosity for the different model will be about the same as the viscosity of milk (around 3 centipoise)
- At this point the mix can be poured into a separate vessel. To remove vessel, spin the vessel clockwise and lift straight from the drive coupling.

DAILY CLEANING

- Remove stirrer blade from shaft, wash, rinse and sanitize.
- Remove vessel from motor base. Wash, rinse and sanitize.
- Wipe down motor compartment with cloth and sanitizer. **DO NOT SPRAY WITH WATER.**

SMB EXPLODED PARTS VIEW



PROBLEM SOLVING GUIDE

Many problems have a simple solution. Please use this guide to help resolve operational difficulties. Contact AyrKing Corporation if unable to correct any problem.

PROBLEM

POSSIBLE SOLUTIONS

Unit does not turn on.

Make sure unit is plugged into wall. Verify green light on timer is illuminated. If not, check connection inside motor compartment from power cord to timer board.

Blade not spinning

Verify motor drive coupling and vessel drive shaft are connected. Verify you have pressed the green button on the timer. If blade continues to not spin, refer to above solves.

TERMS AND CONDITIONS

DAMAGED SHIPMENTS

Notify carrier in event of damaged shipments, whether apparent at time of delivery or concealed damage discovered after unpacking. File complaint with the carrier as the customer will be responsible for collection of damage claims. AyrKing retains no liability for damaged goods once the goods ship from our dock.

RETURNS

No returns will be accepted without written approval from AyrKing. All returned shipments must be freight prepaid and are subject to handling or re-stocking charges.

WARRANTY

AyrKing Corporation warrants that the AyrKing LS Stirrer shall be free from original defects in workmanship and material provided the same has been properly stored, installed, serviced, maintained, and operated. AyrKing Corporation extends this warranty to the original purchaser only. This warranty specifically covers the mechanical and electrical components that constitute the drive system of the machine.

This warranty provides non-prorated replacement of defect components and labor coverage. This warranty begins on the date of initial use or 60 days from the date of shipment from our factory, whichever occurs first. The parts warranty is in effect for the period of 12 months. The labor warranty is in effect for the period of 90 days.

The end user is required to register ownership of this product with AyrKing Corporation by returning the warranty card supplied with the machine. This warranty shall be null and void if the product is not immediately registered with AyrKing Corporation.

Notify AyrKing Corporation of any performance failure. Specify model and serial number of the product when contacting AyrKing. AyrKing personnel will assist in evaluating the cause of failure, ship any necessary replacement components, and authorize a service agency call. Replacement components will be provided and shipped at no cost (via least expensive route) to the end user provided that the end user returns the defective component within two weeks (if required by AyrKing). AyrKing reserves the right to test and evaluate the failed component to determine whether the failure is covered by this warranty. If AyrKing does not receive defective components within two weeks of replacement component shipment (if required by AyrKing) or if the failure is determined not to be covered under this warranty, AyrKing will invoice the end user for the replacement component, shipping costs, and labor charges if applicable.

AyrKing Corporation is not responsible for any damages due to removal or any expenses incurred for installation of replacement component including but not limited to travel time, fuel charges, etc. AyrKing Corporation is not liable for any other expenses or costs due to the non-performance of the product including shipping costs on the mandatory return of defective product or component. The buyer assumes all risks and liability for results of use of product. This warranty does not apply to products that have been misused, subjected to negligence or accident, or altered/repared in any way so as to affect the product's performance or reliability. The faucet screen assembly is excluded from warranty coverage. Nor does this warranty apply to any peripheral components such as lugs, pans, pots, or other items that may be bundled in a package with the stirrer.